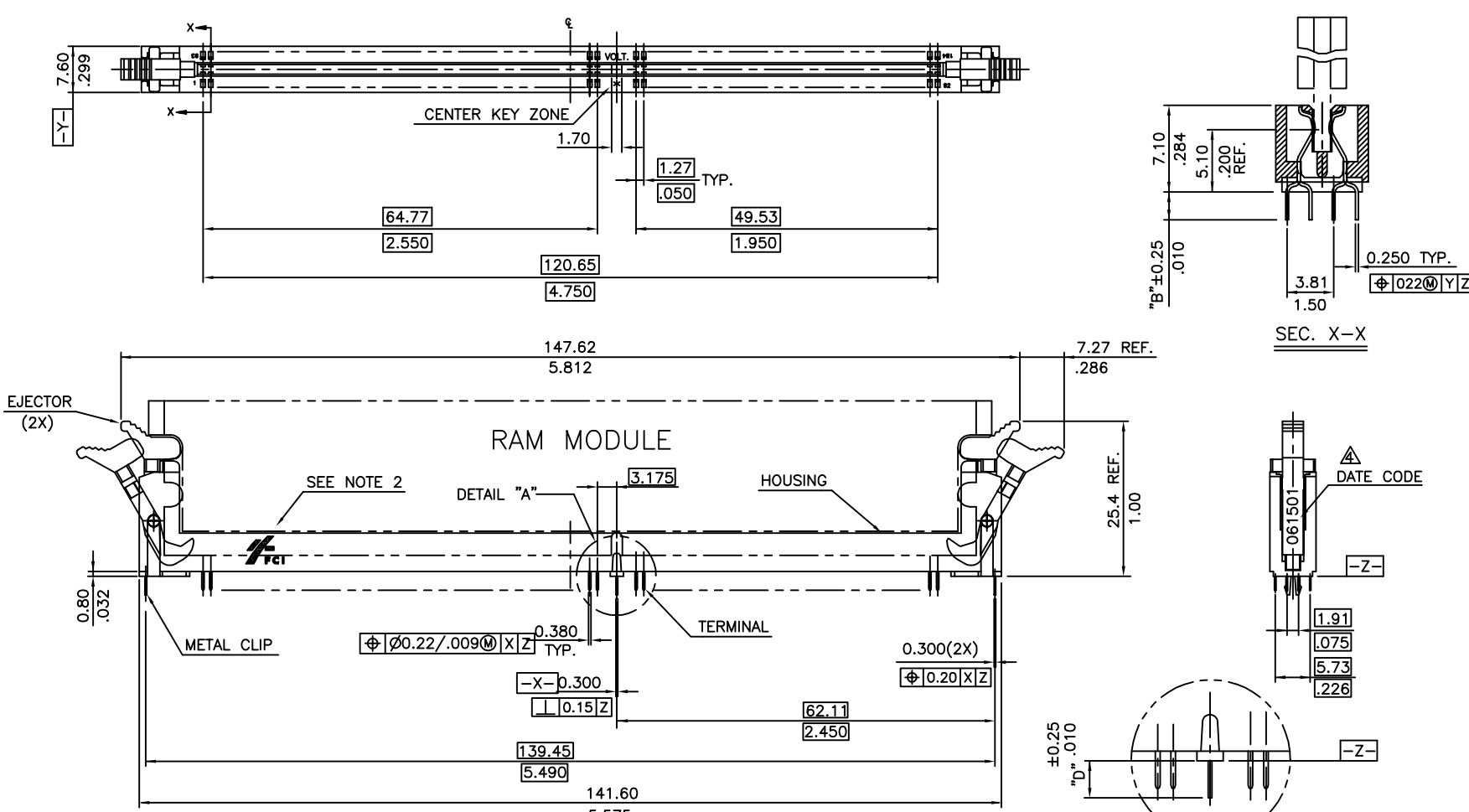


All rights strictly reserved. Reproduction or issue to third parties in any form without written authority from the proprietor. Property of FCI. Copyright FCI.

Tous droits strictement réservés. Reproduction ou communication a des tiers interdite sous quelque forme que ce soit sans autorisation écrite du propriétaire. Propriété de c FCI. Droits de reproduction FCI.



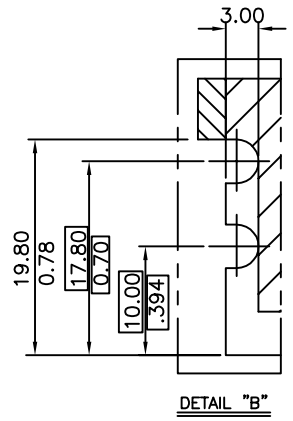
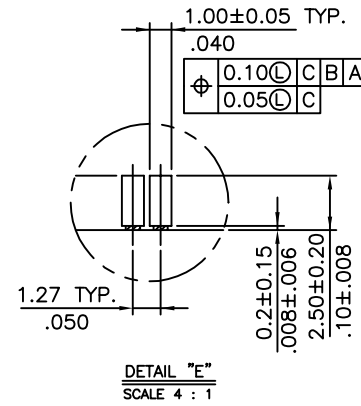
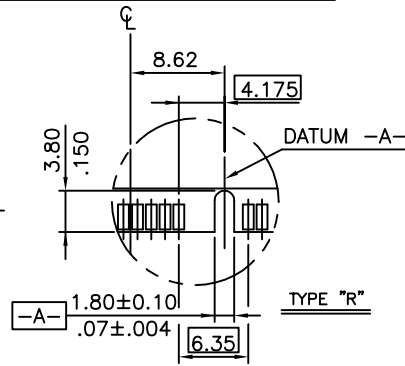
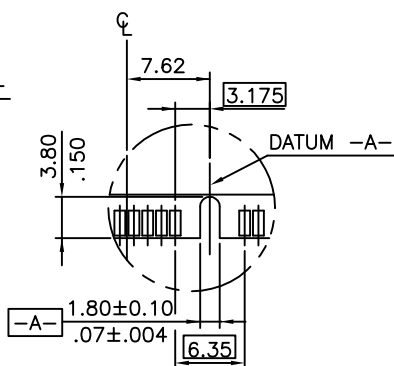
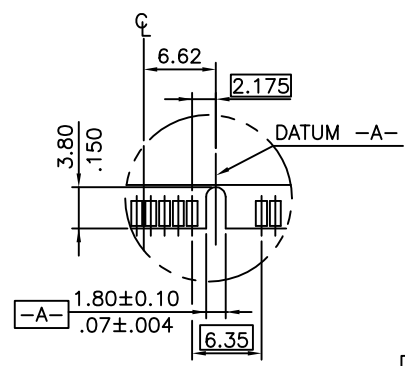
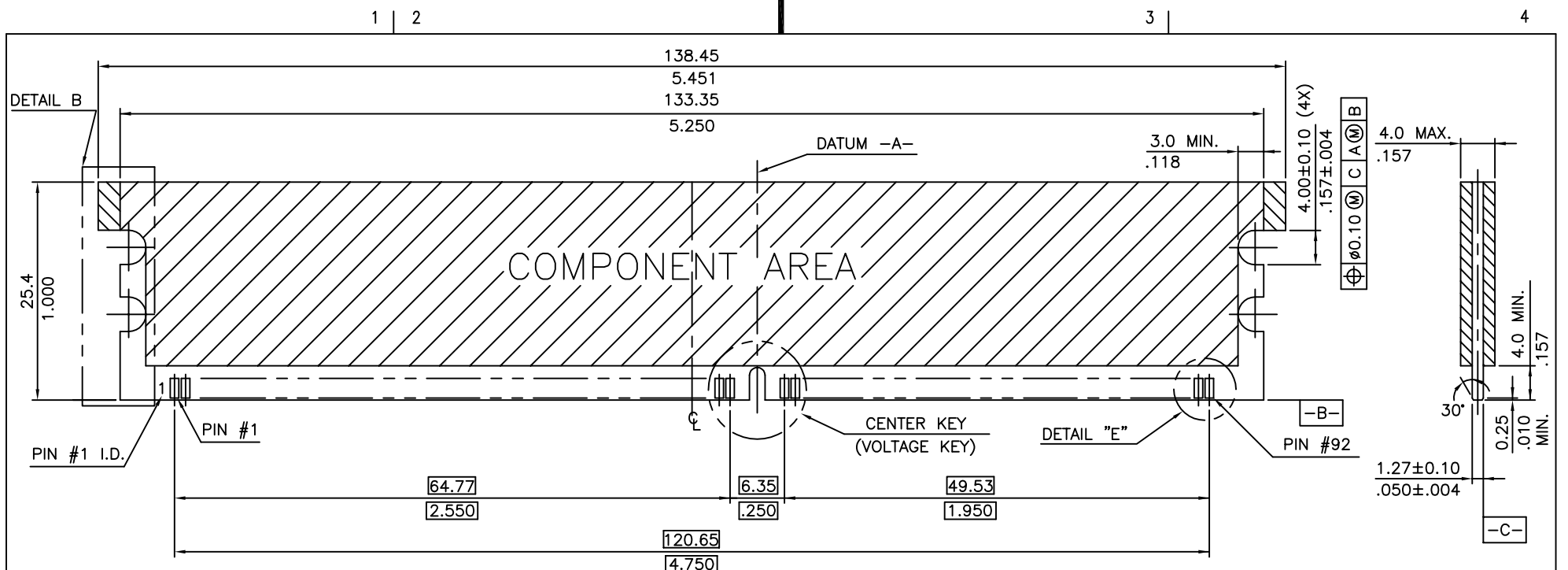
NOTE:

- MATERIAL:  
 HOUSING: HIGH TEMPERATURE NYLON, GLASS FILLED UL94V-0 RATED, COLOR BLACK.  
 EJECTOR: HIGH TEMPERATURE NYLON, GLASS FILLED UL94V-0 RATED, COLOR NATURAL.  
 TERMINAL: COPPER ALLOY.  
 METAL CLIP: COPPER ALLOY
- FCI LOGO TO BE APPROXIMATELY LOCATED AS SHOWN ON PRINT.
- PRODUCT SPECIFICATION: GS-12-146
- THE DATE CODE IS SHOWN "MM-DD-YY" FOR CUSTOMER SPECIAL REQUEST.
- THIS PRODUCT MEETS EUROPEAN UNION DIRECTIVES AND OTHER COUNTRY REGULATIONS AS DESCRIBED IN GS-22-008.
- THE HOUSING WILL WITH STAND EXPOSURE TO 260° PEAK TEMPERATURE FOR 10 SECONDS IN A WAVE SOLDER APPLICATION.

mat'l. code				tolerances unless otherwise specified		CUSTOMER COPY	FCI		www.fciconnect.com		
ltr	ecn no	dr	date	linear	.X ± 0.38/.015	projection	title DDR 184P .050" 1-ROW, V/T ASS'Y METAL CLIP				
B	T10167	M W	06/20/01		.XX ± 0.25/.010						
C	T20047	M W	02/05/02		.XXX ± 0.15/.005						
D	T20024	M W	03/20/02	angles	0° ± 2'	MM	product family		DDR	code	
E	T20325	M W	11/14/02	dr	MAGGIE WU		09/07/00	size		dwg no	TWN
F	T03-0117	M W	04/14/03	enr	BEN TSAO		09/07/00	scale		55635	sheet
G	T03-0435	M W	10/01/03	chr	BEN TSAO		09/07/00	1:1		A4	1 of 3
H	bc05-0467	K W	11/15/05	appd	JENN TSAO		09/07/00				
sheet	revision	H	E	F							
index	sheet	1	2	3							

Tous droits strictement réservés. Reproduction ou communication a des tiers interdite sous quelque forme que ce soit sans autorisation écrite du propriétaire. Propriété de c FCI. Droits de reproduction FCI.

All rights strictly reserved. Reproduction or issue to third parties in any form whatever is not permitted without written authority from the proprietor. Property of FCI. Copyright FCI.

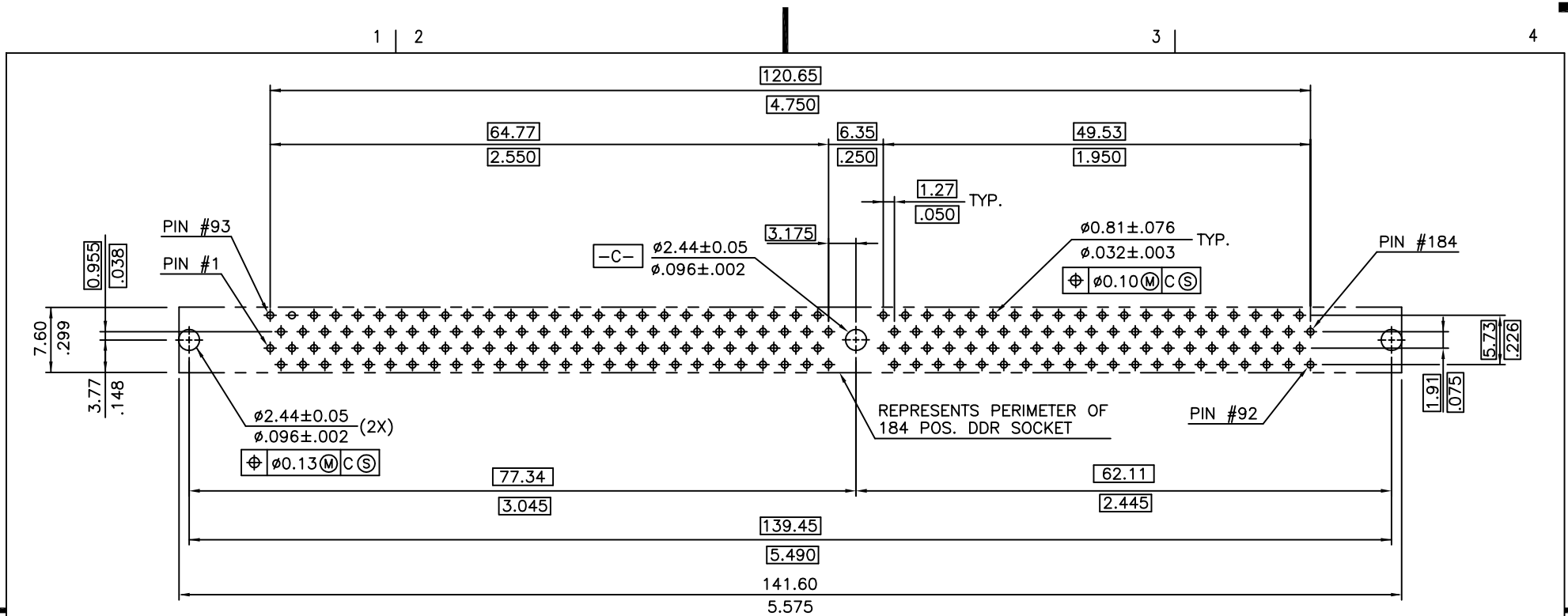


TYPE "R"	3.3 VOLT.
TYPE "L"	2.5 VOLT.
TYPE "C"	1.8 VOLT.
CENTER KEY	DESCRIPTION

mat'l. code		tolerances unless otherwise specified		CUSTOMER COPY		FCI www.fciconnect.com	
ltr	ecn no	dr	date	linear	.X ± 0.38/.015	projection	title
E					.XX ± 0.25/.010		DDR 184P .050" 1-ROW, V/T ASS'Y METAL CLIP
				angles	.XXX ± 0.15/.005		
					0° ± 2'	MM	product family
				dr	MAGGIE WU 09/07/00	scale	DDR
				enr	BEN TSAO 09/07/00	1.5:1	code
				chr	BEN TSAO 09/07/00	A4	TWN
				appd	JENN TSAO 09/07/00	55635	sheet
sheet index	revision sheet						2 of

Tous droits strictement réservés. Reproduction ou communication a des tiers interdite sous quelque forme que ce soit sans autorisation écrite du propriétaire. Propriete de c FCI. Droits de reproduction FCI.

All rights strictly reserved. Reproduction or issue to third parties in any form whatever is not permitted without written authority from the proprietor. Property of FCI. Copyright FCI.



DDR ASSEMBLY PART NUMBER

5 5 6 3 5 - □ □ □ □

STYLE

- 1 : FOR 3.3 VOLT.
- 2 : FOR 2.5 VOLT.
- 3 : FOR 1.8 VOLT.

METAL CLIP

- 1: WITH METAL CLIP + DIM."D"=3.05/.120
- 2: WITH METAL CLIP + DIM."D"=3.56/.140
- 3: WITH METAL CLIP + DIM."D"=3.43/.135

TAIL LENGTH

CODE	DIM. "B"	TOLERANCE
1	2.29 .090	±0.25 ±.01
2	2.79 .110	±0.25 ±.01
3	2.67 .105	±0.25 ±.01
4	3.05 .120	±0.25 ±.01

RECOMMENDED CIRCUIT BOARD HOLE LAYOUT

PLATING

CODE	CONTACT	SOLDERTAIL	UNDERPLATE	CODE	CONTACT	SOLDERTAIL	UNDERPLATE
2	15μ"(0.38μm) MIN. GOLD			7LF	15μ"(0.38μm) MIN. GOLD		
3	30μ"(0.76μm) MIN. GOLD	100μ"(2.54μm) MIN. TIN/LEAD	50μ" (1.27μm) MIN. NICKEL OVERALL	8LF	30μ"(0.76μm) MIN. GOLD	100μ"(2.54μm) MIN. 100% TIN	50μ" (1.27μm) MIN. NICKEL OVERALL
4	GOLD FLASH			9LF	GOLD FLASH		

COLOR OF HOUSING AND EJECTOR

0 : BLACK HOUSING + IVORY EJECTOR

mat'l. code				tolerances unless otherwise specified		CUSTOMER COPY		FCI	
ltr	ecn no	dr	date	linear	.X ± 0.38/.015	projection		title	
F				angles	.XX ± 0.25/.010	MM		DDR 184P .050" 1-ROW, V/T ASS'Y METAL CLIP	
					.XXX ± 0.15/.005	scale		product family	
				dr	0° ±2'	1.5:1		DDR	
				enr		A4		code	
				chr	MAGGIE WU 09/07/00			size	
				appd	BEN TSAO 09/07/00			dwg no	
					BEN TSAO 09/07/00			55635	
					JENN TSAO 09/07/00			sheet	
sheet index	revision sheet							3 of	